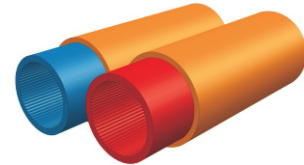
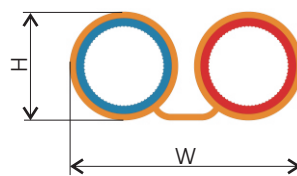


## Bundle DuraFlat™ DI 2x12/10 mm

Bundle of microducts DuraFlat™ DI is intended for protection of optical microcables. Microducts DuraMicro DI are oversheathed by foil from high density polyethylene (HDPE). Splitting and access to microducts are easy because of individual sheaths are not attached to microducts.



Wall thickness of microducts, bundle sheath and type of material classify the bundle as a Direct Install (DI) for installation to places with additional mechanical protection. Installation methods and conditions are described in the Installation manual.

The quality management system of Dura-Line CT is certified acc. to EN ISO 9001. Bundle does not contain dangerous chemicals in accordance to the Directive 2006/1907/EC (REACH). Bundle meets requirements of the Directive 2002/95/EC (RoHS) - content of lead, cadmium, mercury, Cr<sup>VI</sup>, PBB and PBDE.

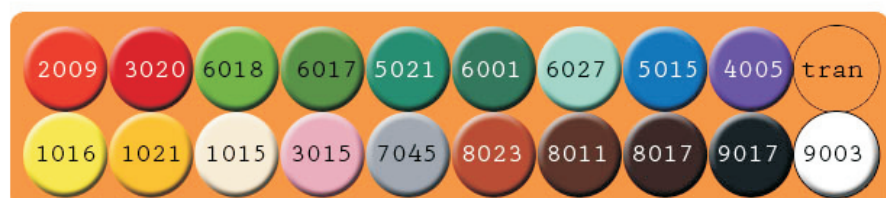
Parameters of microducts are in relevant Technical Data Sheet and in company standard CWS103-02.

Parameter	Value
Width (W)	*28 mm
High (H)	*13,4 mm
Sheath thickness	*0,7 mm
Weight	*122 kg/km
Transport and storage temperatures	from -40°C to +70°C
Installation temperatures	from -10°C to +50°C
Operating temperatures	from -40°C to +70°C
Installation tensile force	max. 930 N
Min. bending radius perpendicular to Width	134 mm
Min. bending radius perpendicular to High	280 mm
Outdoor exposure limit in Central Europe	max. 12 months

\* informative value

- **Standard** is a basic material version convenient for most applications.
- **UV stabilized** is more resistant to ultraviolet radiation. Storability is prolonged to 24 months at Central Europe outdoor conditions. Microducts and sheath are stabilized.
- **Antistat** - lower electrical surface resistance. Microducts and sheath are antistatic.

Bundle is supplied in natural translucent version or in a wide scale of the following RAL list.



DESCRIPTION, APPLICATION

LEGISLATION

PARAMETERS

MODIFICATION

COLOR LIST

## Bundle DuraFlat™ DI 2x12/10 mm

### MARKING

Bundle is printed in whole length according to customer requirement. Printing color is contrasting to bundle color. Printing can be doubled in opposite side as an option. Printing scheme is repeating after 1 metre.

**Example of printing scheme:**

DURA-LINE CT DuraFlat DI 2x12/10 mm SILICORE 03/2009 LOT No 12345678 0000 m ><

### PACKING AND STORAGE

Bundle is wound on disposable drum (MTB) and coil is wrapped by stretch film. Bundle's ends are protected by plastic caps protecting them from impurities penetrating into microducts. End of bundle is minimally 10 mm under the flange edge. MTB flanges are regularly made from chipboard and have to be protected from moisture.

Option - MTB flanges can be made from Oriented Strand Board (OSB) which is waterproof.

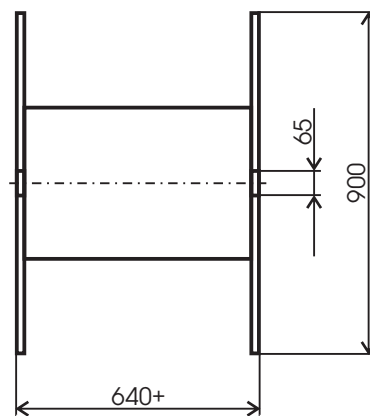
MTB core diameter is 415 mm.

All drum dimensions are informative values.

Drum width is measured near center in place of axis. The periphery width can be higher up to 10% because of pressure winded bundle.

Drum	Flange diameter (mm)	Drum width (mm)	Shaft hole diameter (mm)	Winding maximum length (m)	Informative weight of full drum with chipboard flanges (kg)
MTB3	900	640	65	<b>600</b>	92
MTB8	1 030	640	65	<b>1 000</b>	146

MTB3



MTB8

